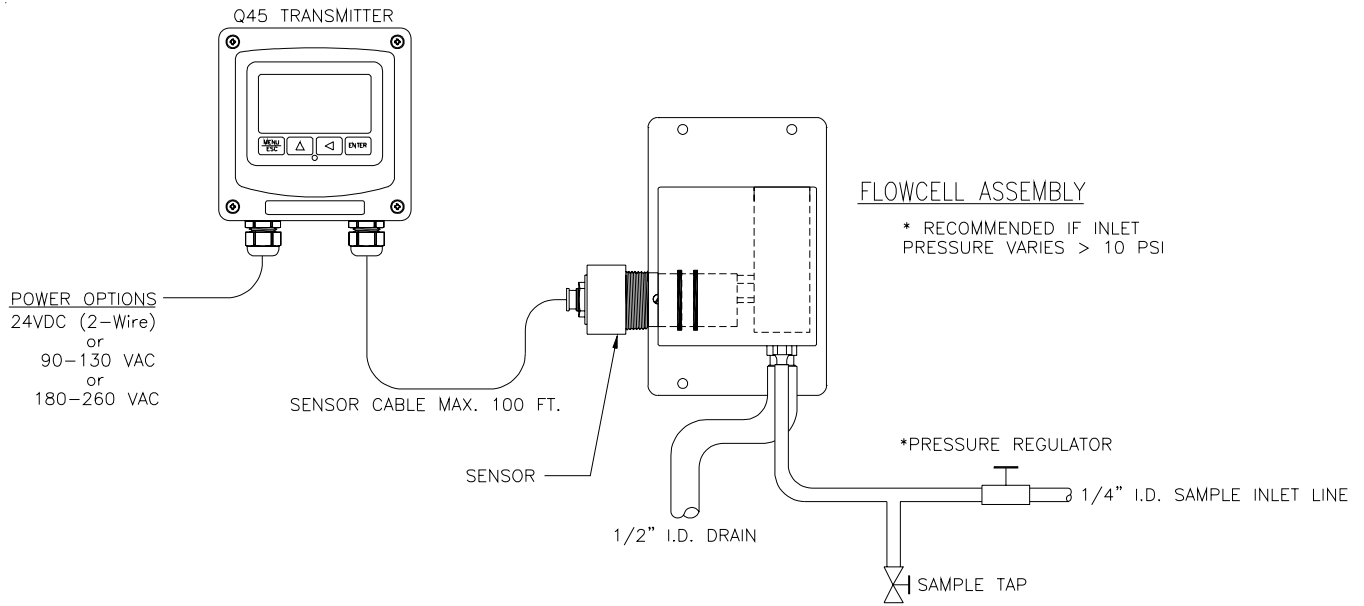
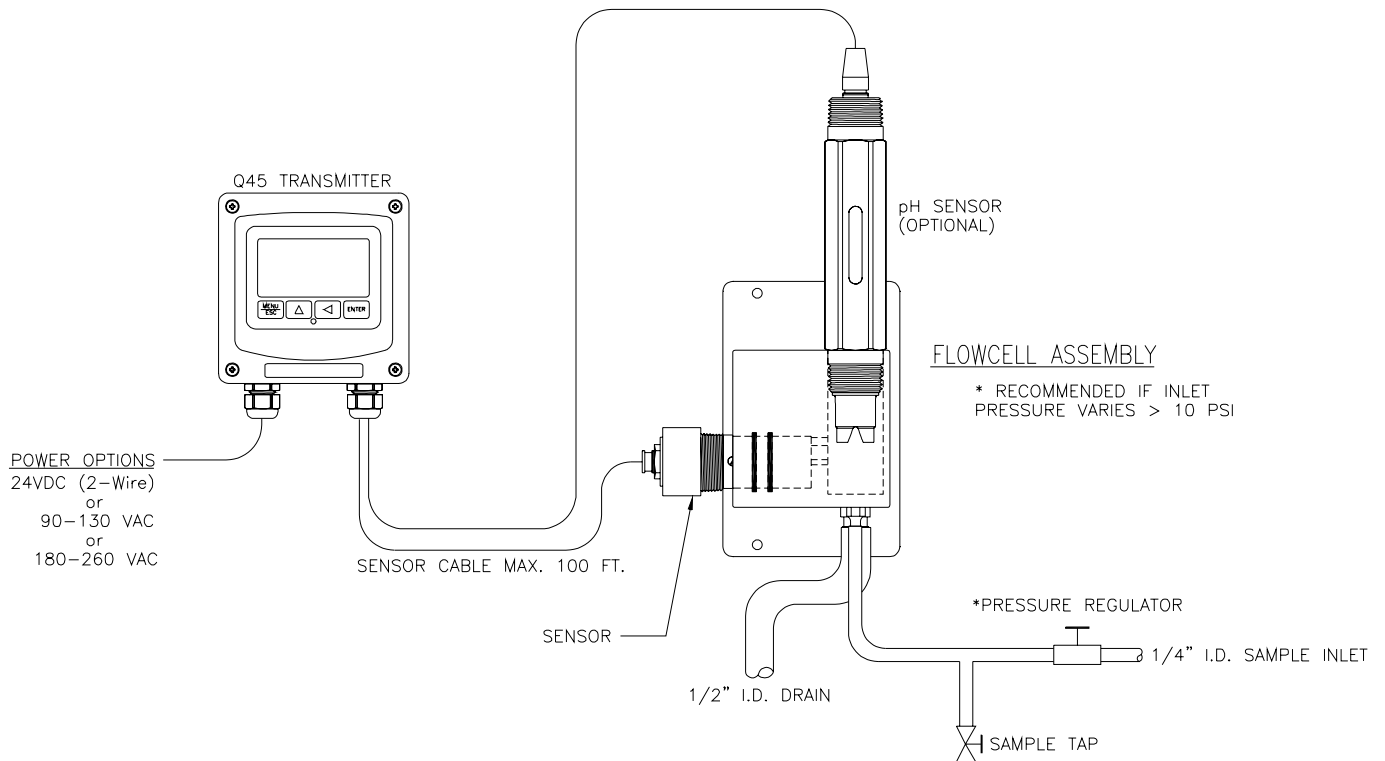


STANDARD SYSTEM DIAGRAM



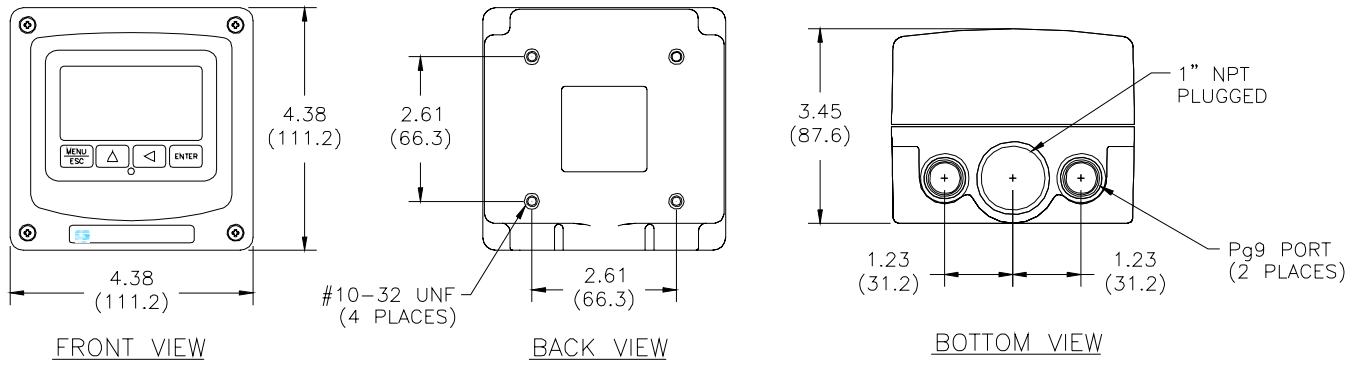
ATI-0730

SYSTEM DIAGRAM w/OPTIONAL pH SENSOR



ATI-0648

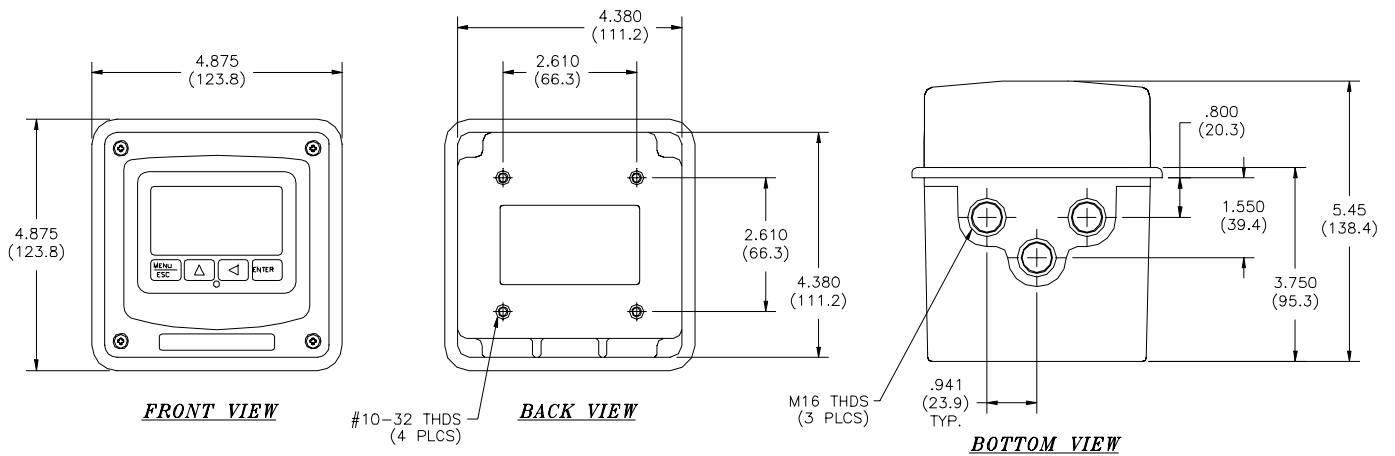
2-WIRE VERSION (or BATTERY POWERED)



NOTE: JUNCTION BOXES HAVE SAME DIMENSIONS AS 2-WIRE TRANSMITTER

ATI-0655

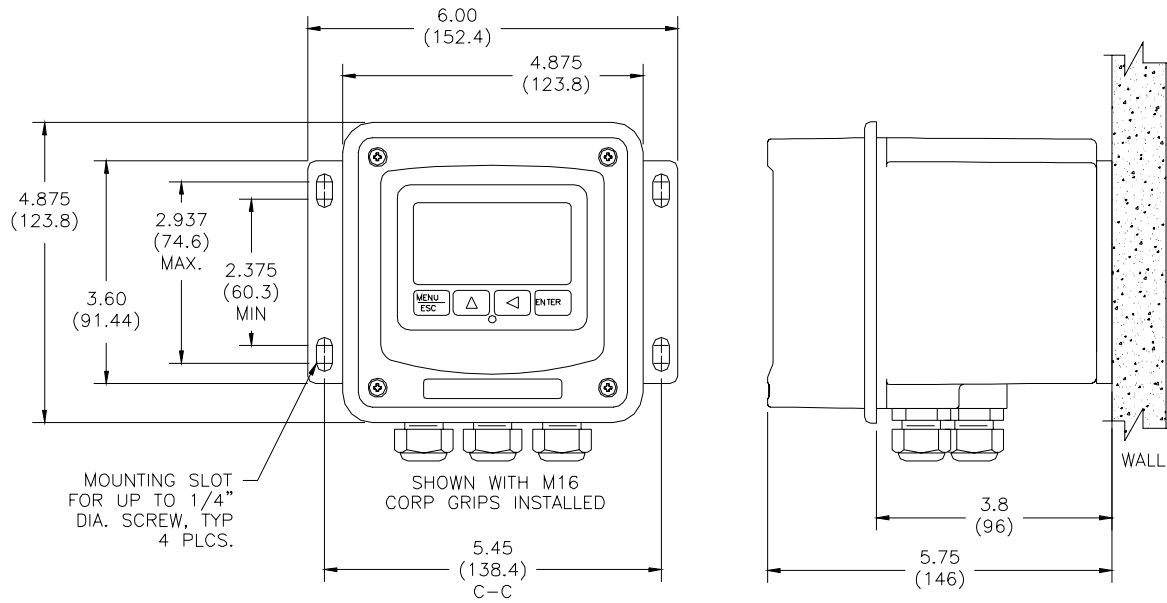
AC POWERED VERSION



Material: Polycarbonate
 Ratings: Nema 4X (IP-66)
 V-0 Fire Retardant

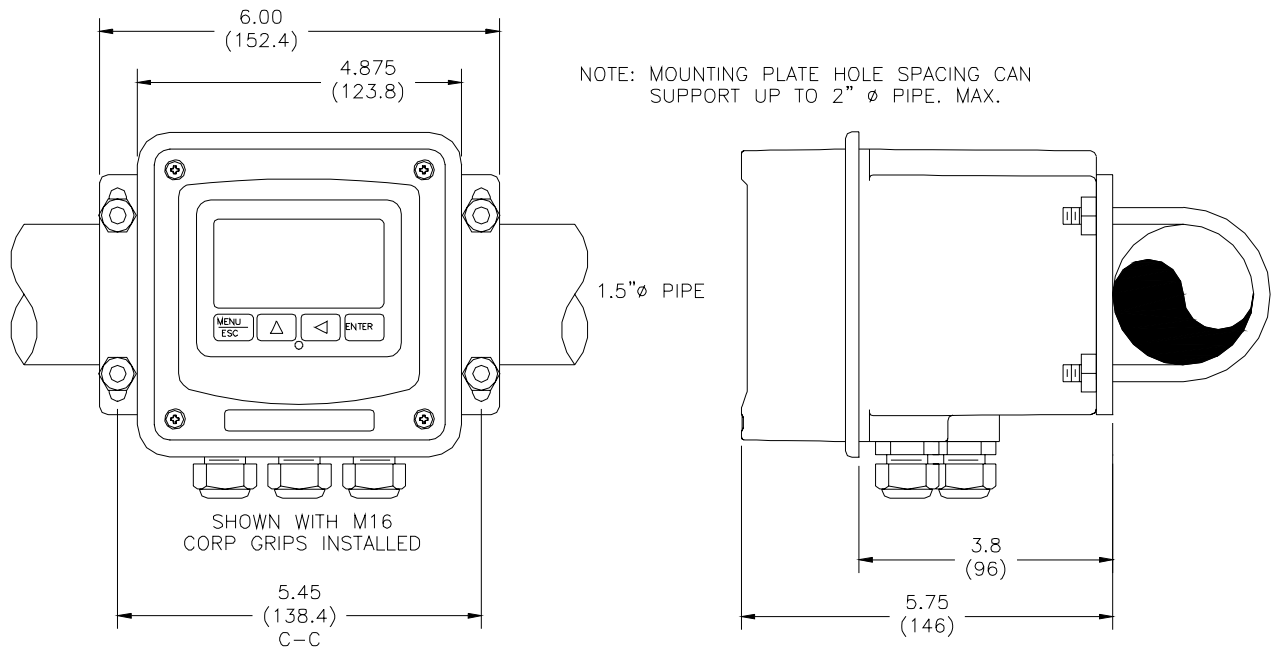
ATI-0706

WALL MOUNTING



ATI-0709

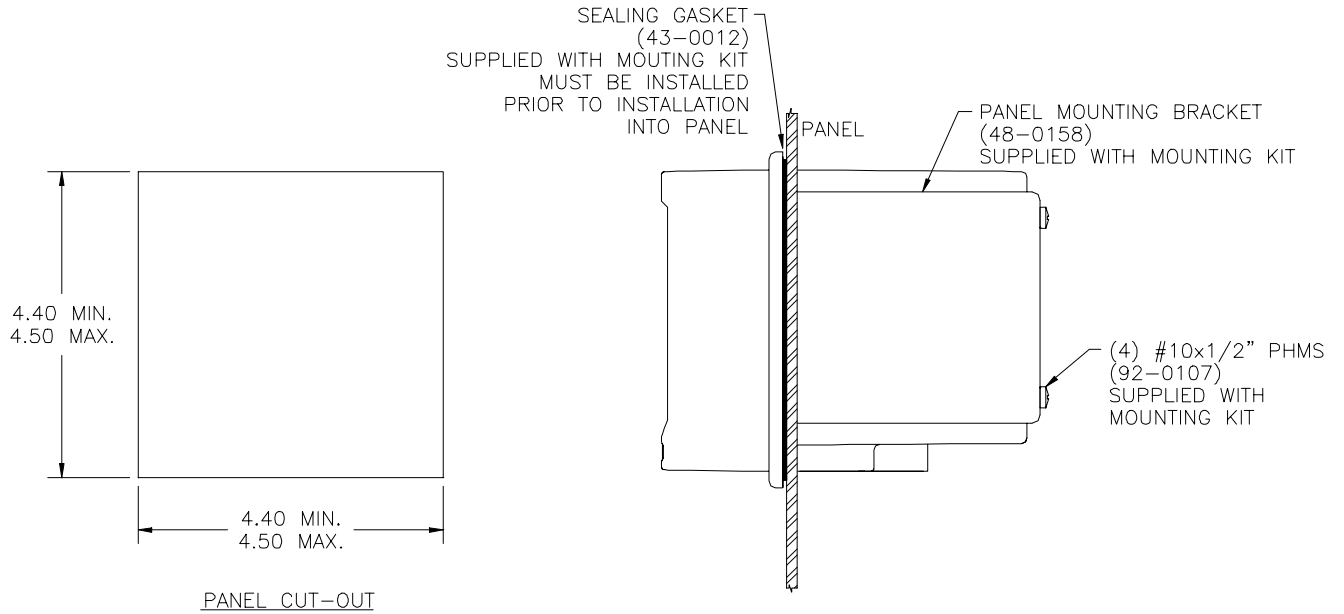
PIPE MOUNTING



NOTE: PLATE MAY BE TURNED 90° FOR VERTICAL PIPE MOUNTING

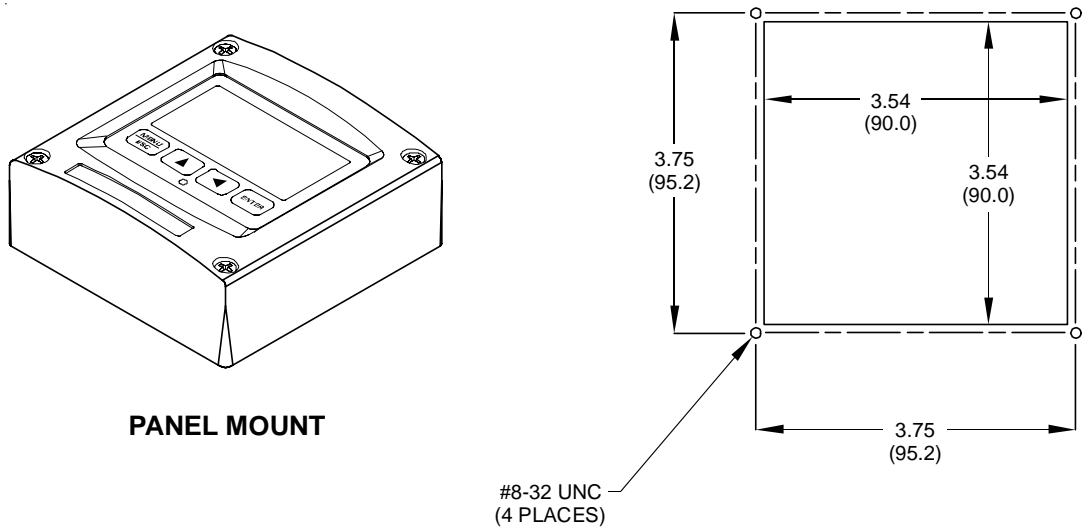
ATI-0710

PANEL MOUNTING - AC UNITS



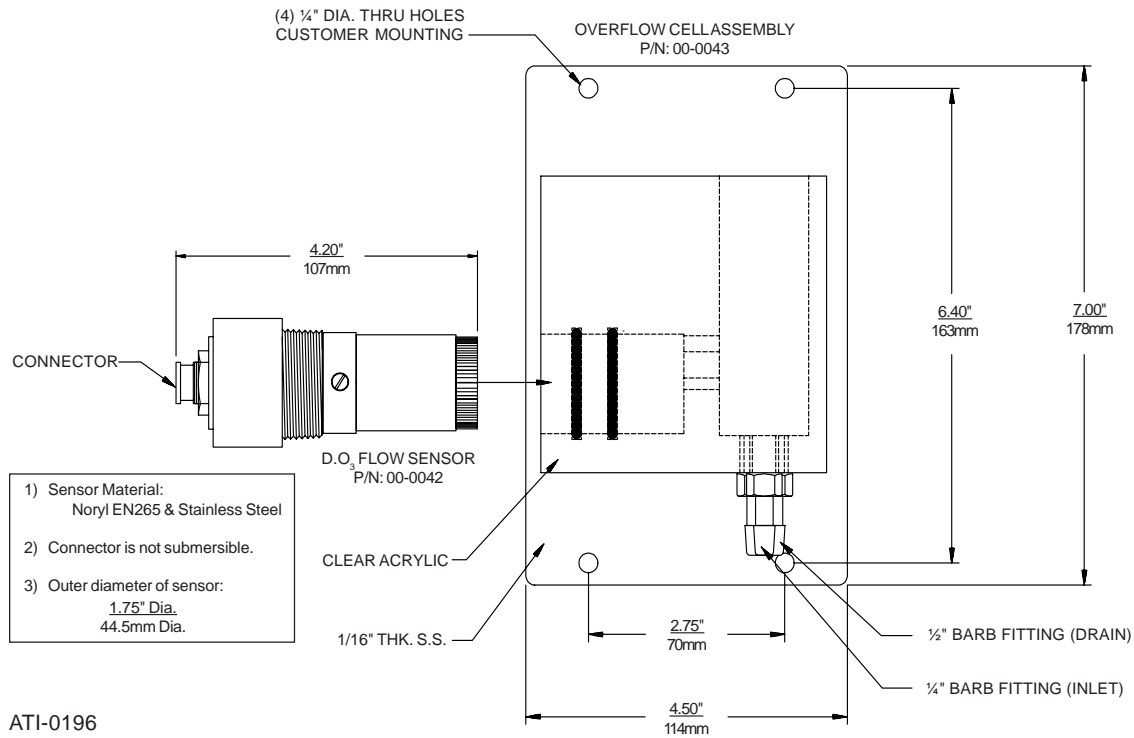
ATI-0711

2-WIRE FLUSH MOUNT

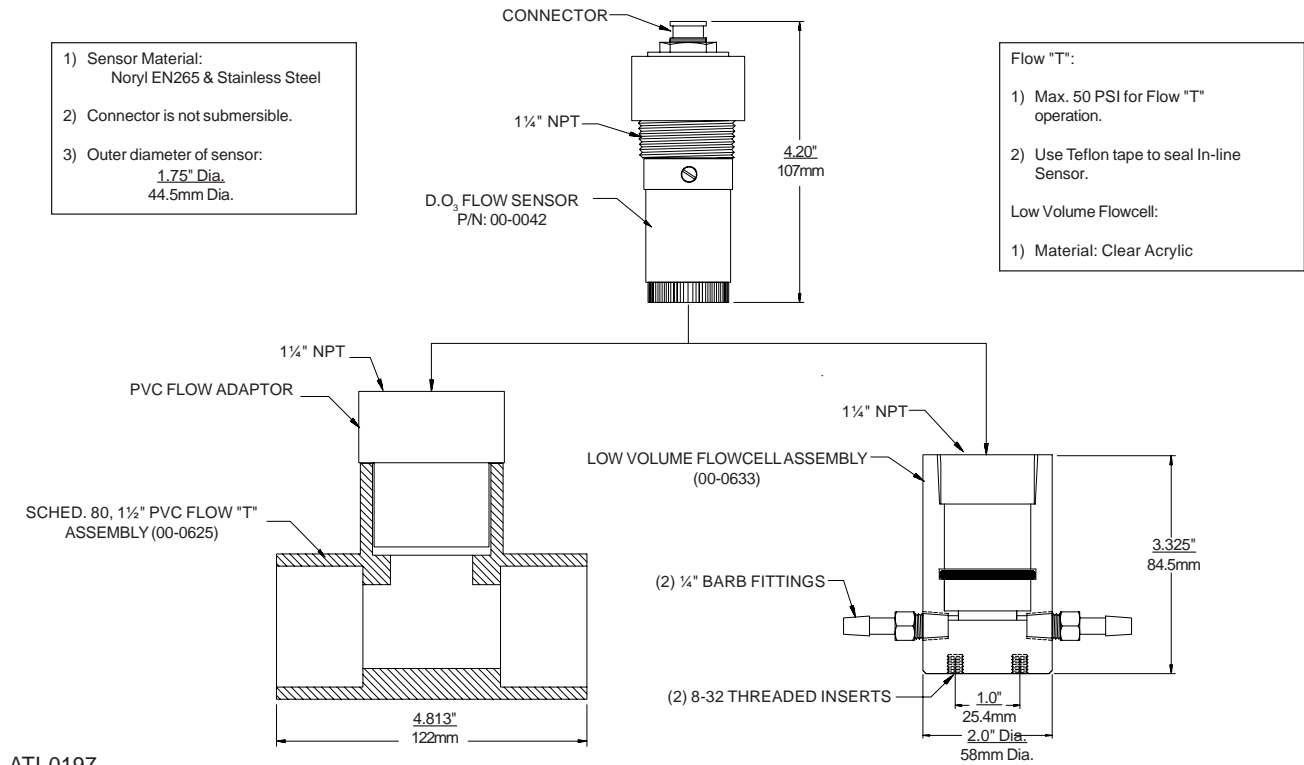


ATI-0611

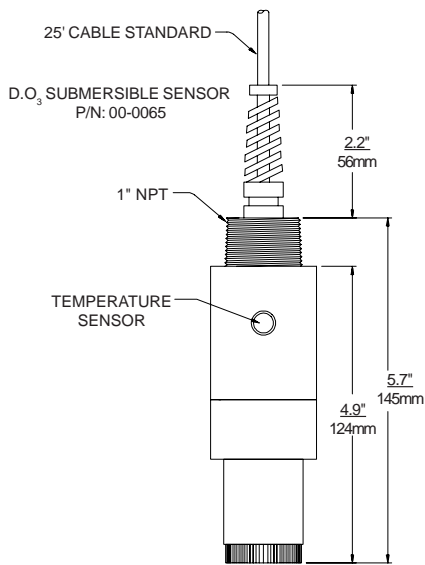
FLOW SENSOR DIMENSIONS & OVERFLOW CELL INSTALLATION



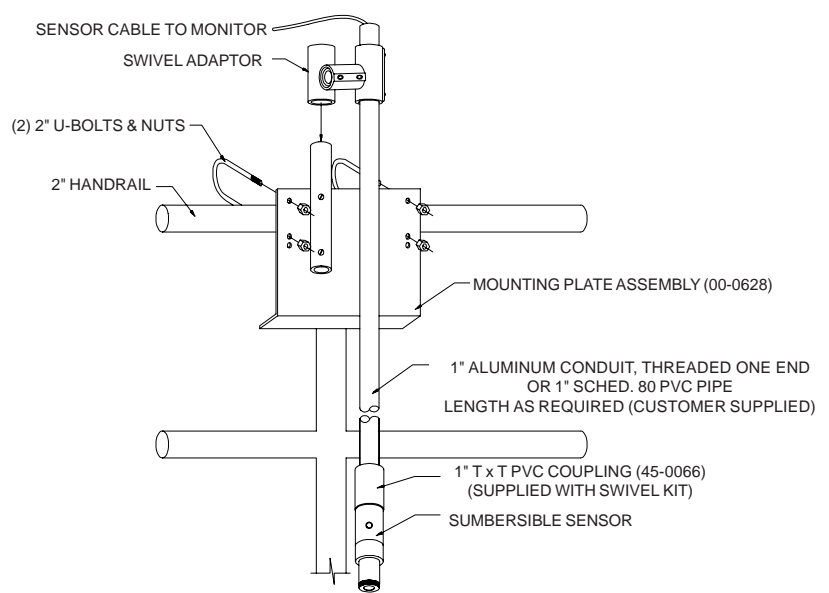
IN-LINE SENSOR DIMENSIONS & LOW VOLUME FLOWCELL/FLOW 'T' INSTALLATION



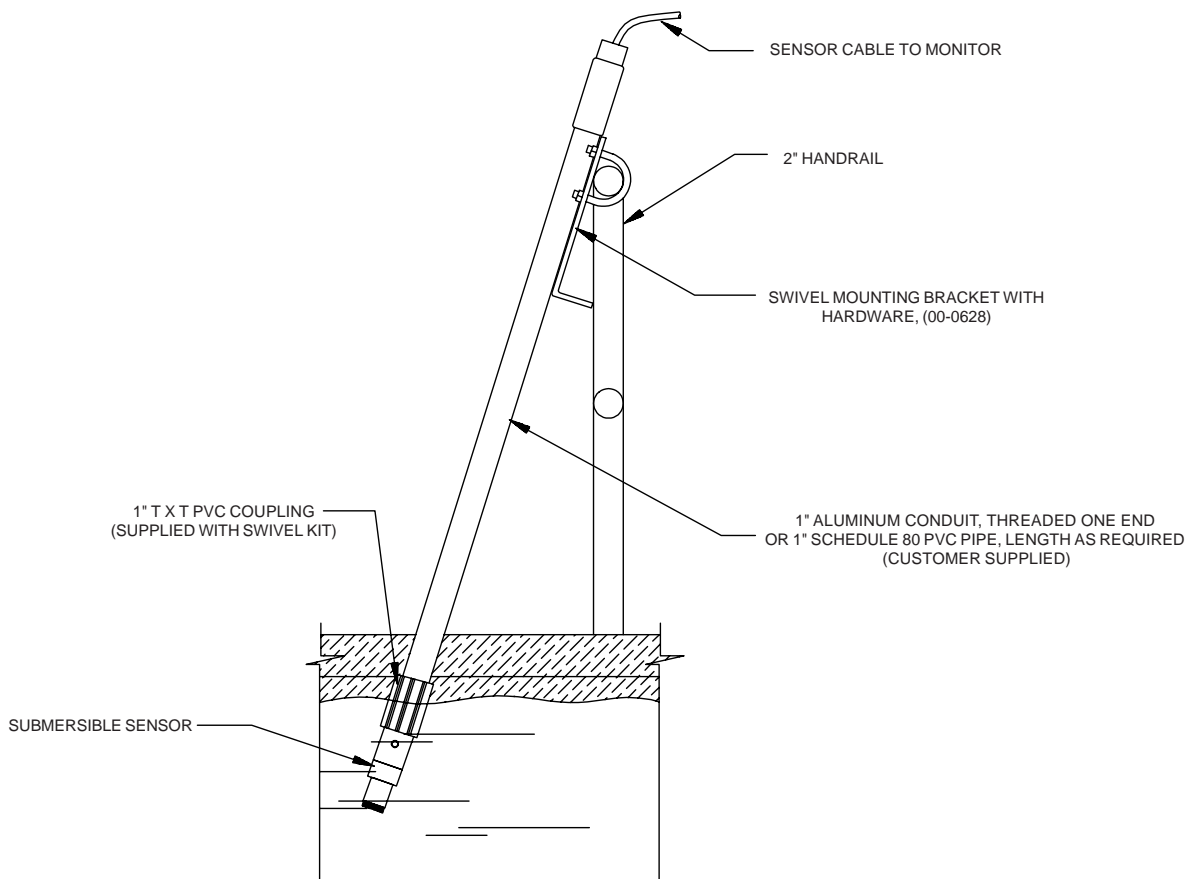
SUBMERSIBLE SENSOR DIMENSIONS & INSTALLATION



ATI-004

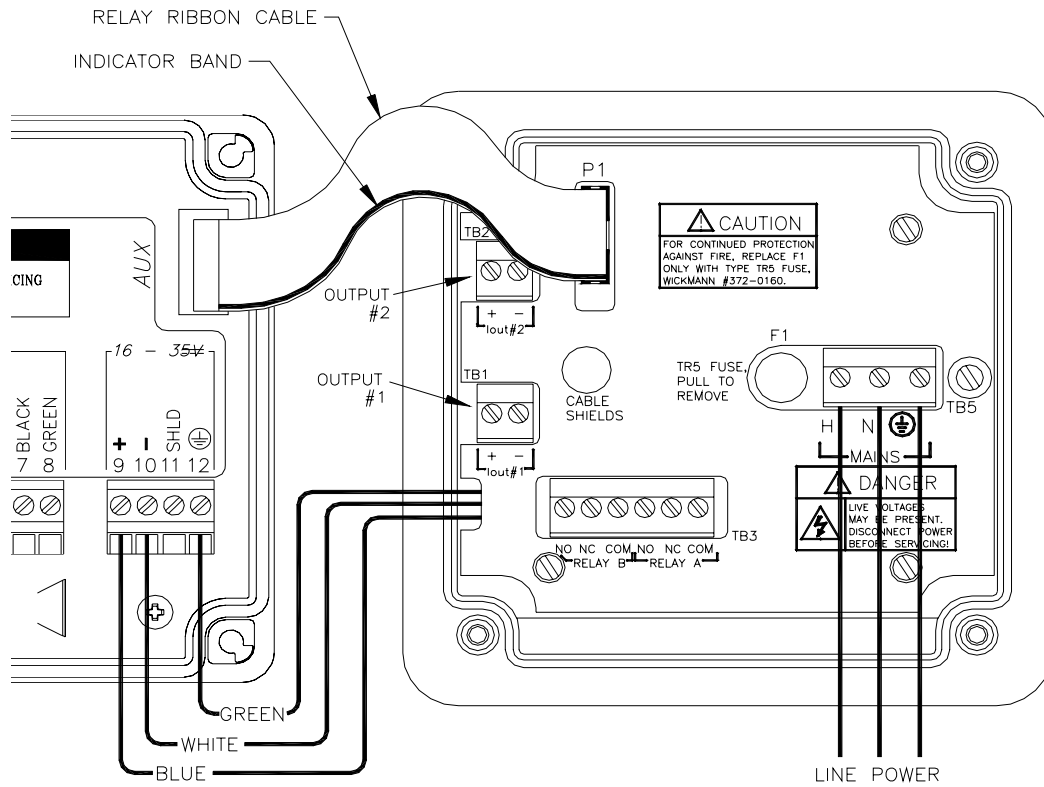


ATI-0188

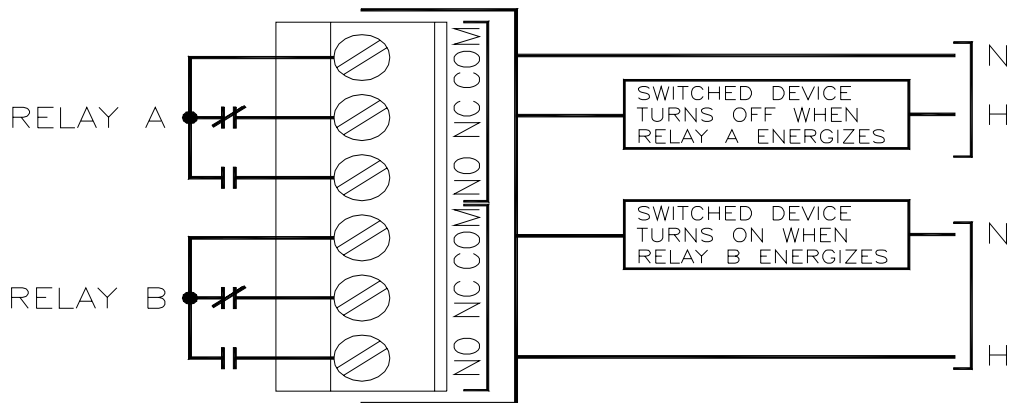


ATI-0155

AC POWER, RELAY, AND OUTPUT CONNECTIONS

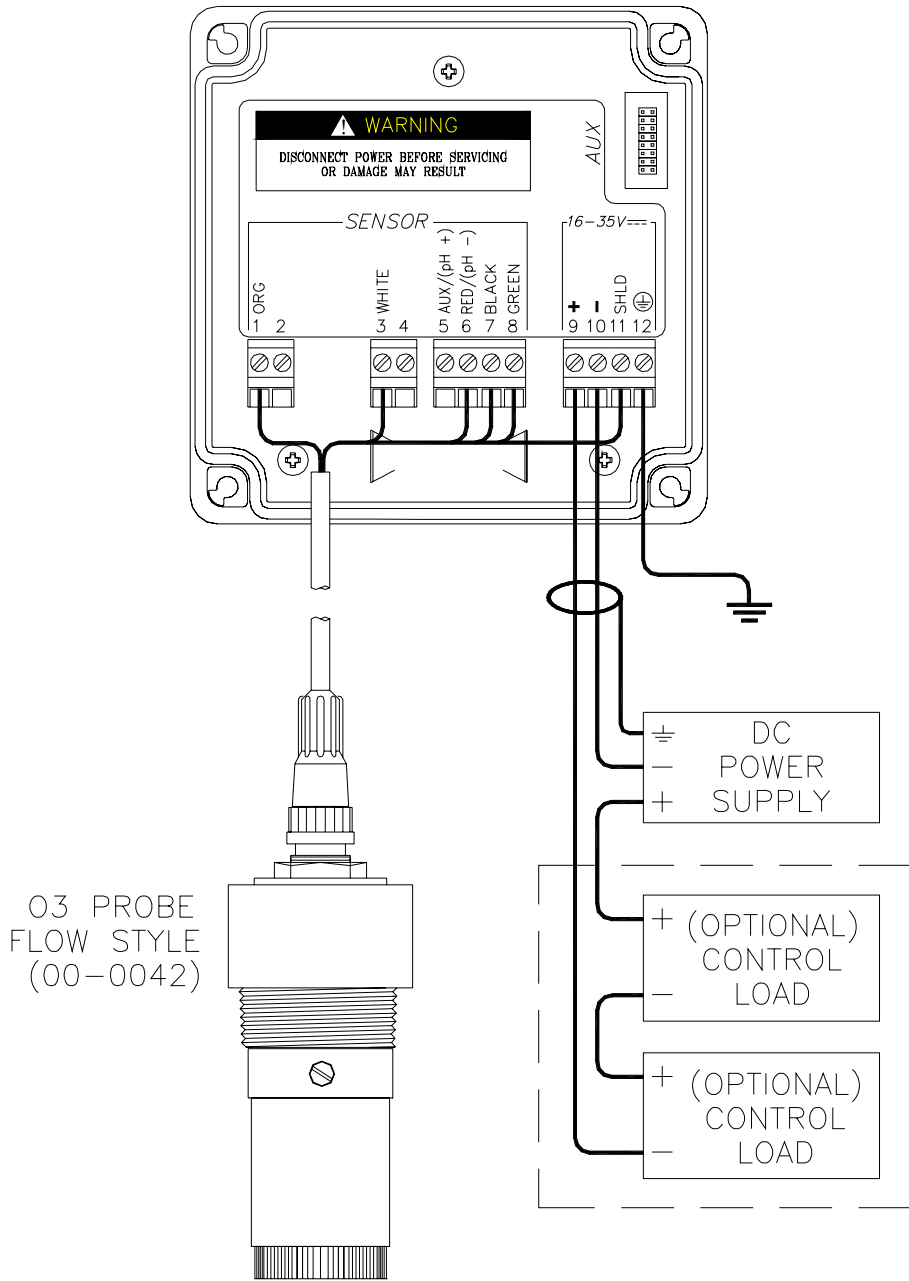


RELAY WIRING TB3 DETAIL



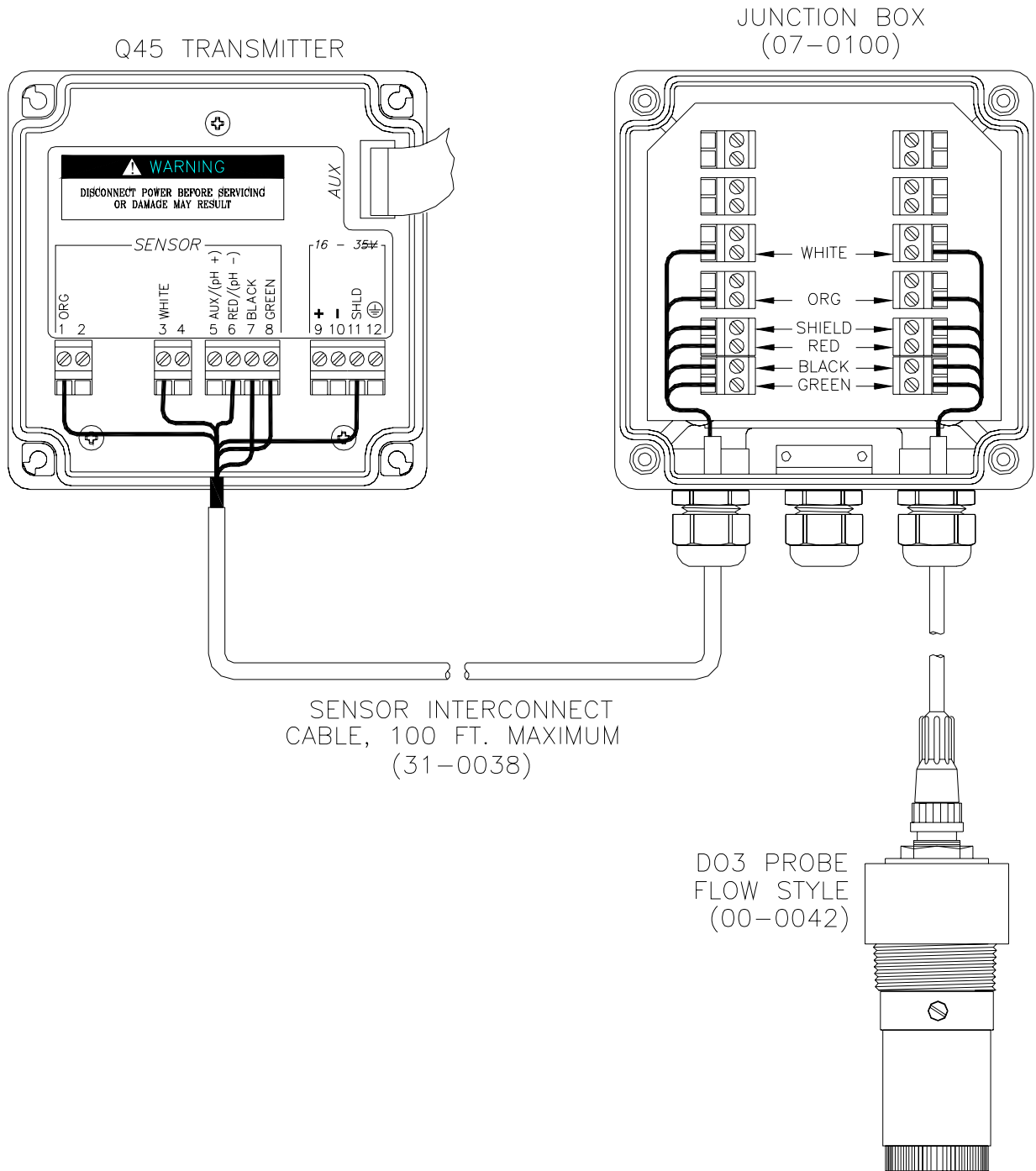
NOTE: DEVICE EXTERNAL WIRING ARE TYPICAL EXAMPLES. RELAY CONTACTS SHOWN IN NORMAL MODE.

ELECTRICAL CONNECTIONS - 2-WIRE TRANSMITTER



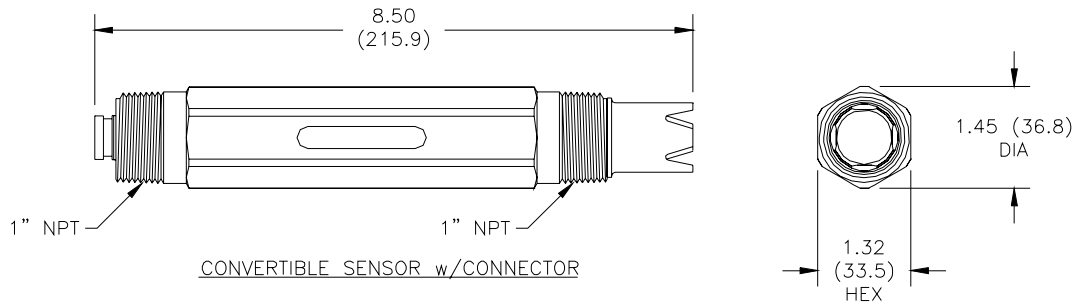
- NOTES:** 1. Voltage between Terminals 9 & 10 MUST be between 16 & 35 VDC.
 2. Earth ground into Terminal 12 is HIGHLY recommended. This connection can greatly improve stability in electrically noisy environments.

SENSOR CONNECTIONS - REMOTE JUNCTION BOX

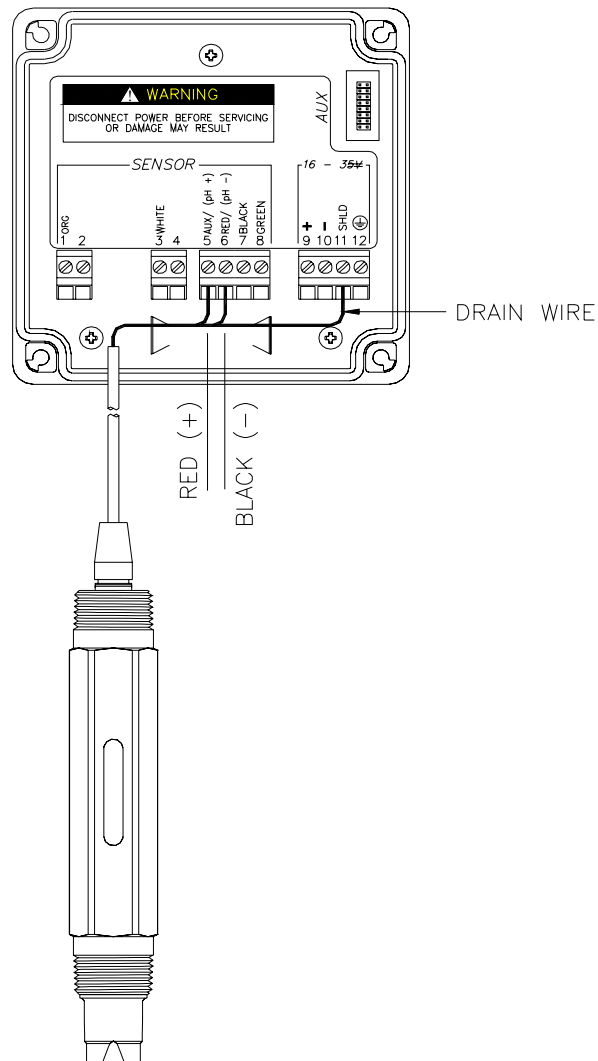


ATI-0731

OPTIONAL pH SENSOR DIMENSIONS

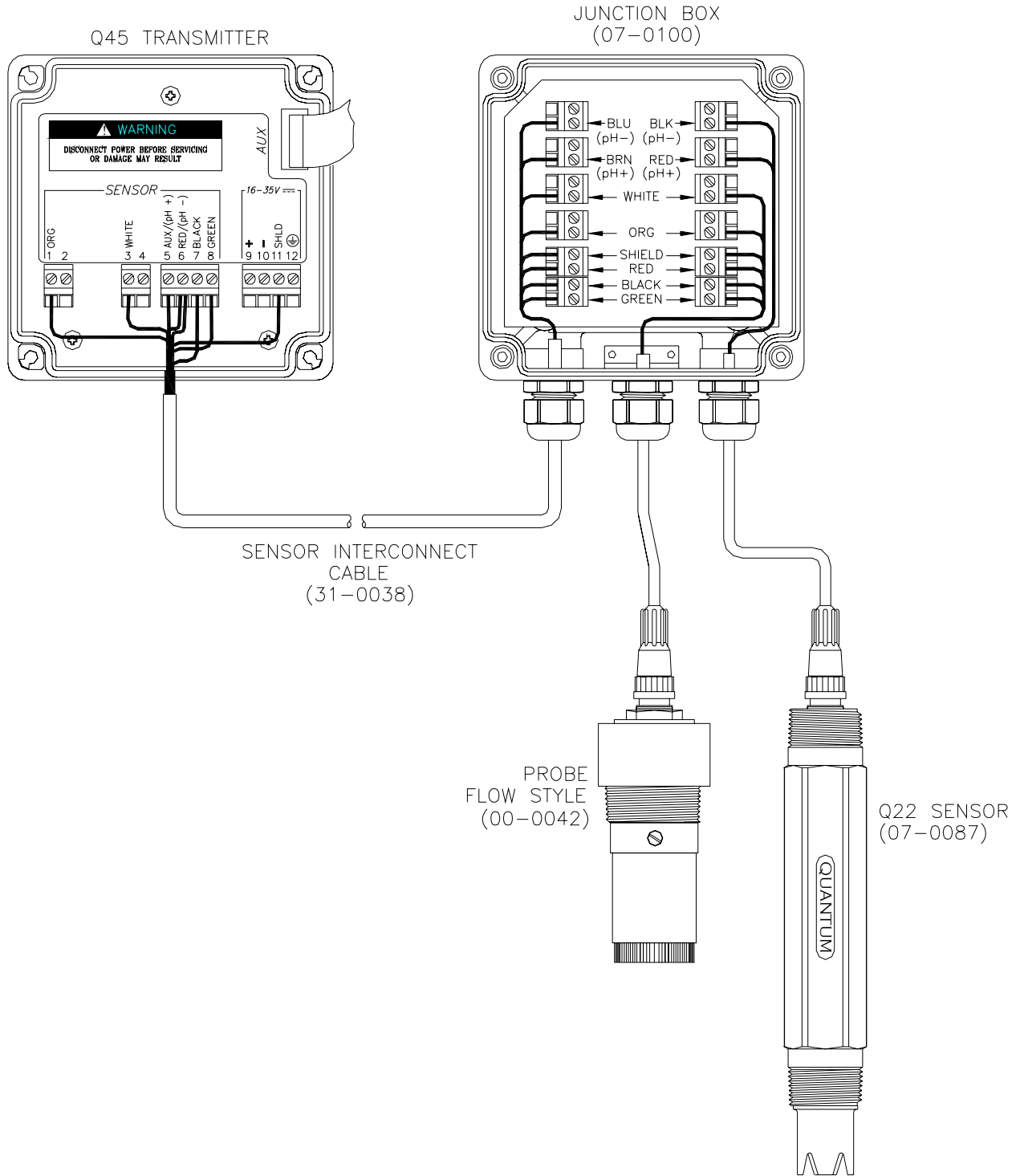


OPTIONAL pH SENSOR CONNECTIONS



07-0087 SENSOR

SENSOR CONNECTIONS - DO₃ / pH WITH JUNCTION BOX



ATI-0732