

# Ozone Pump

## Low Cost SS Ozone Pump

Single head ozone compatible pump ensures you can get ozone into pressurized water lines. Low cost & reliable are pump qualities

### Features

- ozone compatible
- 316 SS & Teflon Heads
- can start under load
- compact for tight spaces
- excellent for lab & research applications

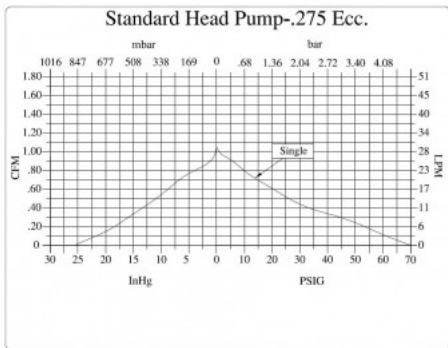
Product ID: **OZC-271**  
 Lead Time: **1 week**  
 Price: **\$1195**



### Specifications

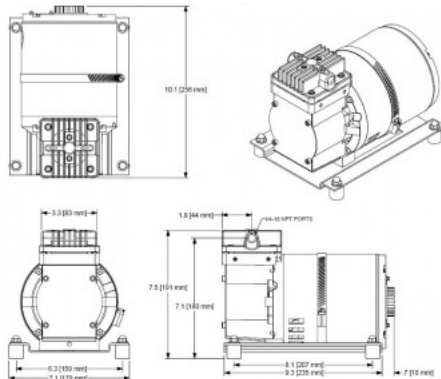
Wetted Materials	PTFE Teflon diaphragms, 316L stainless steel heads & Hardened Teflon valve discs
Inlet & Outlet Ports	1/4" FPT
Motor Type	1/3 Hp TEFC
Open Flow	1.0 CFM (28 lpm) (see chart)
Flow at 40 PSI	16-SCFH (8 lpm) (see chart)
Dimensions:	7-in x 73.5-in x 10-in (WxHxL) 18-cm x 19-cm x 26-cm
Weight:	30-lbs (13 kg)

### OZC-271 Performance Chart



Charts shows vacuum & pressure performance as a function of pressure.

### OZC-271 Dimensions



Top, plan, side & isometric views of the OZC-271 ozone compressor.