

Mazzei Injector

1/2-in MPT Ozone Venturi

This ozone venturi is excellent for ozone mass transfer. Molded Kynar & rugged construction ensure years of life. Ozone suction port quickly transfers ozone gas into water stream under pressure.



Features

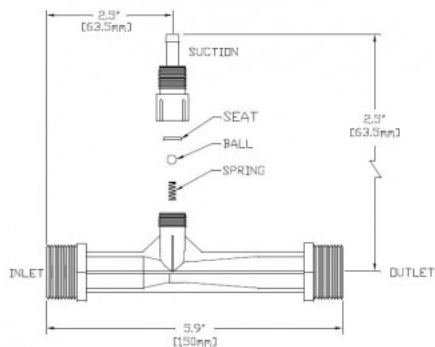
- no moving parts
- durable Kynar construction
- completely ozone compatible
- check valve included in injection port
- quick installation

Product ID: **MK-384**
 In Stock: **Yes**
 Price: **\$49**

Specifications

Capacity	1 GPM @ 15 PSI Inlet Pressure, 2 GPM @ 50 PSI Inlet Pressure, 2.8 GPM @ 100 PSI Inlet Pressure (See MK-384 Performance Chart)
Water Inlet & Outlet Connection	1/2-in MPT
Suction Port	1/4-in barb shank & 1/4-in MNPT
Construction Material	Kynar body, Teflon ball, Kel-F seat, Hastelloy-C spring
Temperature Rating	200-deg F (93.3-deg C)
Maximum pressure	200 PSIG (13.6 bar) at a temperature of 68-deg F (20-deg C)
Check Valve	Included - in the suction port
Latest Enhancement	New inlet & outlet vanes are designed to maximize injector efficiency
Weight	0.8-lbs (0.38 kg)

MK-384 Injector Drawing



Drawing showing the dimensions of the MK-384 Ozone Venturi. Perfect for ozone installations for water treatment.

Internal Vanes Improve Ozone Mass Transfer Efficiency



Ozone Injectors have internal mixing vanes to improve mass transfer efficiency, suction capacity & mixing capabilities.

Size Range of Ozone Injectors



Image shows the various sizes of ozone injectors & ozone venturis. Injectors range from 1/2-in MPT to 4-in MPT process connections. All ozone injectors made from high quality black Kynar (PVDF).