

# High Pressure Ozone Resistant Check Valves

## Ozone Resistant Check Valves

Ozone compatible check valves ensure that gas or liquid does not flow back to the ozone generator. 1-2 PSI crack pressure ensures a tight seal when back pressure is absent.



### Features

- ozone resistant materials
- NSF-61 Compliant
- many NPT sizes available
- inexpensive
- SS spring to ensure tight seal

Product ID: **CVHP**

In Stock: **Yes**

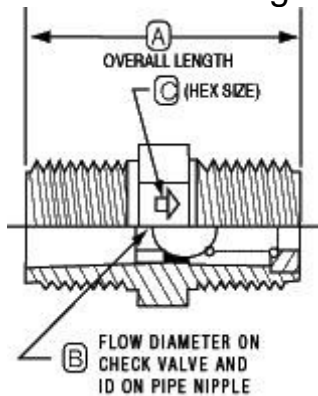
Model #	Connection (MNPT x MNPT)	Price
CVHP-2	1/8-inch	\$8.95
CVHP-4	1/4-inch	\$9.95
CVHP-6	3/8-inch	\$10.95
CVHP-8	1/2-inch	\$11.95

### Specifications

Wetted Materials  
Maximum pressure  
Crack Pressure  
Sizes Available

Viton Seal, 316 SS Spring, Kynar Body  
220 PSI @ 180-deg F  
1-2.5 PSI  
1/8, 1/4, 3/8, 1/2 MPT

### CVHP Drawing



Cutaway of the CVHP Ozone Compatible Check Valve. SS ball pushed by a SS spring against a Viton O-ring ensures a tight seal.